

# DH-HAC-HUM3200G-B

## 2MP HDCVI Bullet Camera



- Max 30fps@1080p
- CVI/CVBS/AHD/TVI switchable
- 2.8 mm fixed lens
- IP67, DC12V



### System Overview

Experience 1080p full HD video and the simplicity of using existing cabling infrastructure with HDCVI. The Micro-size series 1080p HDCVI camera features a compact design and offers a high quality image at a friendly price. It offers various motorized/fixed lens models with a multi-language OSD and HD/SD switchable output. Its structural flexibility and high cost-performance makes the camera an ideal choice for SMB solutions.

### Functions

#### 4 Signals over 1 Coaxial Cable

HDCVI technology supports 4 signals to be transmitted over 1 coaxial cable simultaneously, i.e. video, audio\*, data and power. Dual-way data transmission allows the HDCVI camera to interact with the XVR, such as sending control signal or triggering alarm. Moreover, HDCVI technology supports PoC for construction flexibility.

\* Audio input is available for some models of HDCVI cameras.

#### Long Distance Transmission

HDCVI technology guarantees real-time transmission at long distance without any loss. It supports up to 800 m (1080p)/1200 m (720p) transmission via coaxial cable, and up to 300 m (1080p)/450 m (720p) via UTP cable.\*

\*This function is available for select models.

#### Simplicity

HDCVI technology inherits the born feature of simplicity from traditional analog surveillance system, making itself the best choice for investment protection. HDCVI system can seamlessly upgrade the traditional analog system without replacing existing coaxial cabling. The plug and play approach enables full HD video surveillance without the hassle of configuring a network.

### Multi-language OSD

OSD menu provides multiple image adjustments and function settings to meet the requirements of different monitoring scenes. The OSD menu includes configurations such as backlight mode, day/night, white balance, privacy mask and motion detect. The camera supports 11 languages for OSD menu, namely, Chinese, English, French, German, Spanish, Portuguese, Italian, Japanese, Korean, Russian and Polish.

### Protection

The camera's outstanding reliability is unsurpassed due to its rugged design. The camera is protected against water and dust with IP67 ranking, making it suitable for indoor or outdoor environments.

With working temperature range of  $-40^{\circ}\text{C}$  to  $+60^{\circ}\text{C}$  ( $-40^{\circ}\text{F}$  to  $140^{\circ}\text{F}$ ), the camera is designed for extreme temperature environments.

Supporting  $\pm 30\%$  input voltage tolerance, this camera suits even the most unstable power supply conditions. Its 4KV lightning rating provides protection against the camera and its structure from the effects of lightning.

**Technical Specification**

**Camera**

Image Sensor	1/2.7 inch CMOS
Max. Resolution	1920 (H) x 1080 (V)
Pixel	2MP
Scanning System	Progressive
Electronic Shutter Speed	PAL: 1/25 s–1/100000 s NTSC: 1/30 s–1/100000 s
S/N Ratio	>65 dB
Min. Illumination	0.02 Lux/F2.0, 30IRE
Pan/Tilt/Rotation Range	Pan: 0° – 360° Tilt: 0° – 90° Rotation: 0° – 360°

**Lens**

Lens Type	Fixed-focal				
Mount Type	M12				
Focal Length	2.8 mm				
Max. Aperture	F2.0				
Field of View	H: 117°; V: 63°; D:135°				
Iris Type	Fixed iris				
Close Focus Distance	0.5 m (1.64 ft)				
DORI Distance		Detect	Observe	Recognize	Identify
	2.8 mm	40 m (131.2 ft)	16 m (52.5 ft)	8 m (26.3 ft)	4 m (13.1 ft)

**Video**

Frame Rate	CVI: 1080p@25/30fps; 720p@25/30fps; 720p@50/60fps; AHD: 1080p@25/30fps; 720p@25/30fps; TVI: 1080p@25/30fps; 720p@25/30fps; 720p@50/60fps; CVBS: 960H
Resolution	1080p (1920 × 1080); 720p (1280 × 720); 960H (960 × 576/960 × 480)
Day/Night	Electronic
BLC	BLC/HLC/DWDR
WDR	DWDR
White Balance	Auto; manual
Gain Control	Auto; manual
Noise Reduction	2D NR
Smart IR	Yes
Mirror	Off/On
Privacy Masking	Off/On (8 area, rectangle)

**Certifications**

Certifications	CE/FCC, UL, IP6K9K, EN50155
----------------	-----------------------------

**Port**

Video Output	Video output choices of CVI/TVI/AHD/CVBS by one BNC port
--------------	--

**Power**

Power Supply	12V ±30% DC
Power Consumption	Max 1.1W (12V DC)

**Environment**

Operating Temperature	–40°C to +60°C (–40°F to 140°F); <95% (non-condensation)
Storage Temperature	–40°C to +60°C (–40°F to 140°F); <95% (non-condensation)
Protection Grade	IP67

**Structure**

Casing	Metal
Dimensions	110.1 mm × 50.4 mm × 50.1 mm (4.33" × 1.98" × 1.97")
Net Weight	0.11 kg (0.24 lb)
Gross Weight	0.17 kg (0.37 lb)

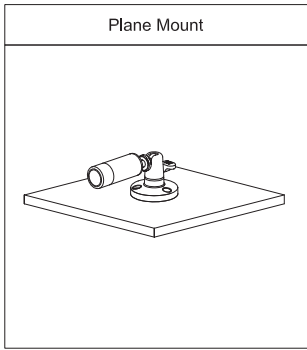
**Ordering Information**

Type	Part Number	Description
2MP Camera	DH-HAC-HUM3200GP-B 2.8 mm	2MP HDCVI Bullet Camera, PAL
	DH-HAC-HUM3200GN-B 2.8mm	2MP HDCVI Bullet Camera, NTSC
Accessories	PFM321D	12V 1A Power Adapter
	PFM904	Integrated Mount Tester
	PFM800-E	Passive HDCVI Balun
	PFM820	UTC Controller

**Accessories**

**Optional:**





Dimensions (mm[inch])

